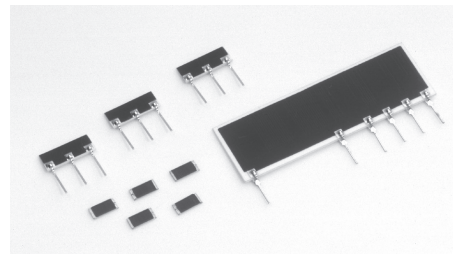


BT TYPE

Precision Resistors for Voltage Divider



The BT type resistors are useful precision resistor for voltage divider.

FEATURES

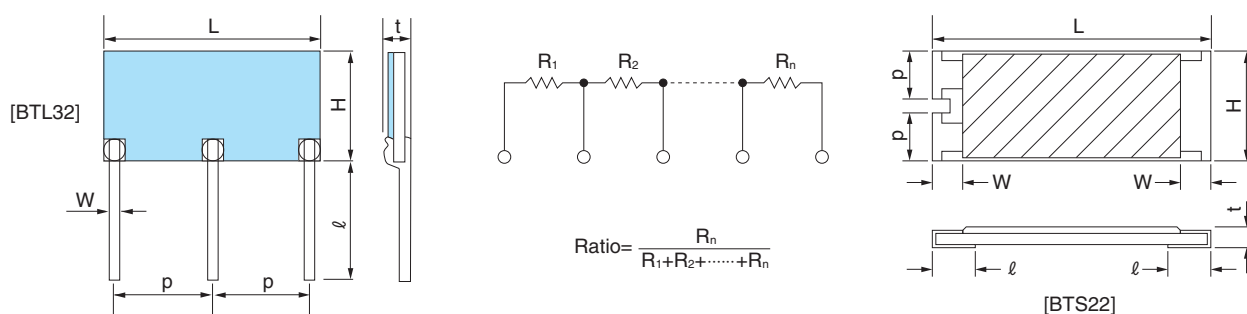
- Excellent accuracy of divider.
- Small temperature coefficient.
- Excellent long-term stability.

CHARACTERISTICS

Item	Characteristics	Test method
Operating temperature range	-55°C~+150°C	
Absolute temperature coefficient	C: ±50ppm/°C (≦100MΩ) D: ±100ppm/°C	Measured at 25°C and 75°C
Ratio temperature coefficient	B: ±25ppm/°C (≦100MΩ) C: ±50ppm/°C	Measured at 25°C and 75°C
Ratio tolerance	B: ±0.1 % (≦ 10MΩ) C: ±0.25 % (≦ 10MΩ) D: ±0.5 % (≦100MΩ) F: ±1 % (≦ 1GΩ)	Measured at DC100V
Ratio stability change in ratio		
Long-term stability	±0.1% (≦100MΩ)	At normal temperature and humidity for 1,000hr.
Moisture resistance	±0.1% (≦100MΩ)	60°C, 90 ~ 95%RH, 1,000hr.
Short-time overload	±0.1% (≦100MΩ)	Rated voltage×2.5 applied for 5sec.

PRODUCTION DATA

Shape



	Type ※1	Range of resistance values		Rated voltage DC (V)	Ratio		Number of elements	Number of pins	Dimensions (mm)						Absolute tolerance (%)
		Min. (MΩ)	Max. (MΩ)		Min.	Max.			L	H	t	p	ℓ	W	
Surface mount	BTS22	1	100	100	1/2	1/50	2	3	6.4	3.2	0.55	1.4	0.8	0.8	±0.1(B) ±0.25(C)≦10M ±0.5(D) ±1(F)≦100M ±2(G) ±5(J) ±10(K)≦1G
Lead wire mount	BTL32	1	100	300	1/2	1/50	2	3	12.7	5.08	1.8	5.08	7.5	0.5	
	BTL5*	1	100	500	1/2	1/100	2~4	3~5	25.4	5.08	1.8	※2	7.5	0.5	
	BTL7*	1	1000	1200	1/2	1/10000	2~9	3~10	50.8	19.0	1.8	※2	7.5	0.5	

NOTICE: ※1 The mark of Types '*1' is number of elements. ※2 The lead pin pitch is 0.2inch at minimum.

※ Consult your local dealer for the availability of resistors with resistance values and ratio which are the ranges given above and with a special shape.

※ Also consult your local dealer for the minimum order quantity.