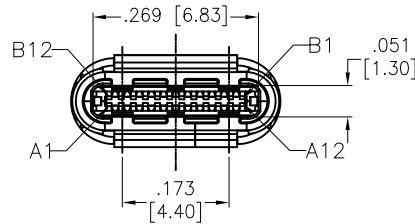
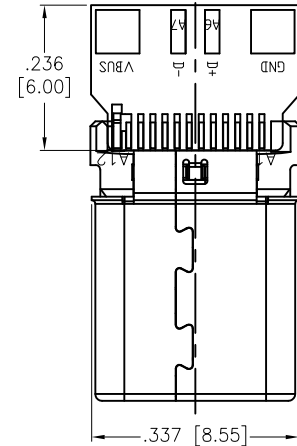
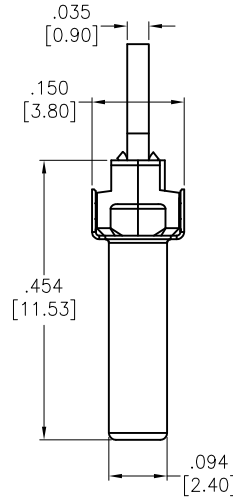
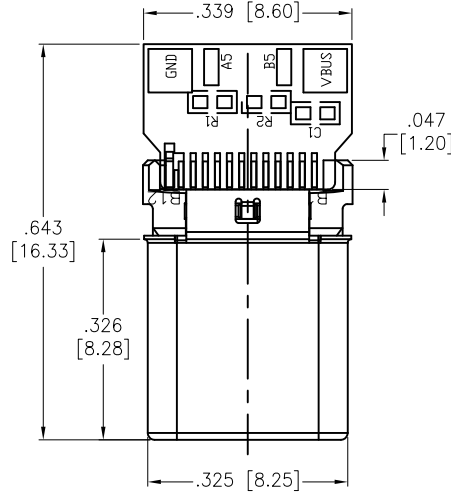
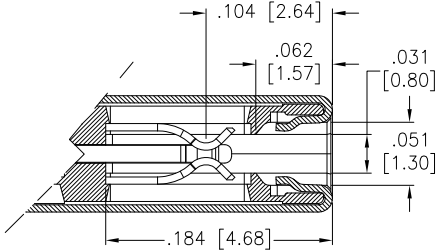
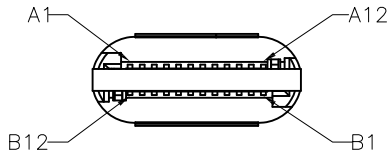


APPROVED: _____
 DATE: _____ TITLE: _____

Rev	AWO #	Description	Date	Appr
-		RELEASED	5/6/16	



SPECIFICATIONS:

Material:
 Insulator: Thermoplastic, rated UL 94V-0
 Insulator color: Black
 Contacts: Copper Alloy
 Shell: Stainless Steel, Nickel plated
 Ground Latch: Stainless Steel, Nickel plated, Tab with Tin Alloy
 Back Shell: Stainless Steel, Nickel plated
Plating:
 Gold flash over Nickel underplate on contact area,
 Tin over Nickel underplate on solder tails
Electrical:

Current rating: 3.0 A (Vbus and Ground Contact)
 0.25 A min. (Other Contact)
 Contact resistance: 30 mohms max (Vbus and Ground Contact)
 50 mohms max (Other Contact)
 Insulation resistance: 100 Mohms min.
 Dielectric withstanding: 100 VAC for 1 minute

Mechanical:
 Insertion force: 5~20N @ 12.5mm per second max.
 Withdrawal force: 8~20N @ 12.5mm per second max.
 Durability: 10,000 Cycles
 Temperature Rating:
 Operating temperature: -55°C to +85°C
Environmental:
 Lead free, RoHS compliant.



A12	A11	A10	A9	A8	A7	A6	A5	A4	A3	A2	A1
GND	RX2+	RX2-	Vbus	SBU1	D-	D+	CC	Vbus	TX1-	TX1+	GND
GND	TX2+	TX2-	Vbus	Vconn			SBU2	Vbus	RX1-	RX1+	GND
B1	B2	B3	B4	B5	B6	B7	B8	B9	B10	B11	B12

UNLESS OTHERWISE SPECIFIED
 ALL DIMENSIONS ARE INCHES [MM]
 TOLERANCES: EXCEPT AS NOTED

INCHES		HOLES	
.X	± .10	Ø.X	± .10
.XX	± .020	Ø.XX	± .015
.XXX	± .015	Ø.XXX	± .010

APPROVALS		DATE
DRAWN	HR	5/6/16
CHECKED	MW	5/6/16
APPROVED		

ADAM TECH

909 Rahway Avenue, Union, NJ 07083
 Phone: 908-687-5000 Fax: 908-687-5710

TITLE: UNIVERSAL SERIAL BUS, TYPE C, MALE PLUG,
 STRADDLE MOUNT, BLACK INSULATOR, W/ PCB

SIZE	PART NO.	REV.
X	USB-C31-PLUG-B-XX-BK-PCB	-
REF: S00097C	SCALE: NTS	SHEET 1 OF 2