

UNIVERSAL SERIAL BUS BONNECTOR ULTRA MINIATURE MINI USB SERIES ESB 38 SERIES

■ FEATURES

- Ultra-small size achieved universal series bus connector.
- 8Pin (USB mini 5pin + TV output 3pin) type is 0.45mm pitch.
- Receptacle and plug housings are UL 94V-0 grade fire retardant .
- Gold plated contact ensure low contact resistance.
- To make sure your connections are perfect every time.
- EMI protection by shielding features.
- RoHS compliant product.
- Ideal for connecting portable PCs as slim notebook PCs and handheld PCs to small, slim peripheral equipment (digital cameras, mobile phones, small mouse, PDAs, MP3, Hub... etc.).

■ SPECIFICATIONS

1.ELECTRICAL

- Voltage rating: 5VAC(rms)
- Current rating: 0.5 Amp
- Contact resistance: 50m Ω Max.
- Insulation resistance: 100M Ω min. (at 500VAC)
- Dielectric strength: 100VAC (rms)(1 minute)

2.MECHANICAL

- Durability: 1500 cycles
- Mating force: 35N (3.57kgf)Max.
- Unmating force: 1N(0.1kgf) min.

■ MATERIALS

1.MATERIAL

- Contacts: Phosphor Bronze
- Shell: Copper Alloy
- Receptacle Housing: Nylon (UL 94V-0)

2.PLATING

- Nickel In All Area
- Contact entire: Gold Flash over Nickel
- Shell: Sn over Nickel

■ PACKING

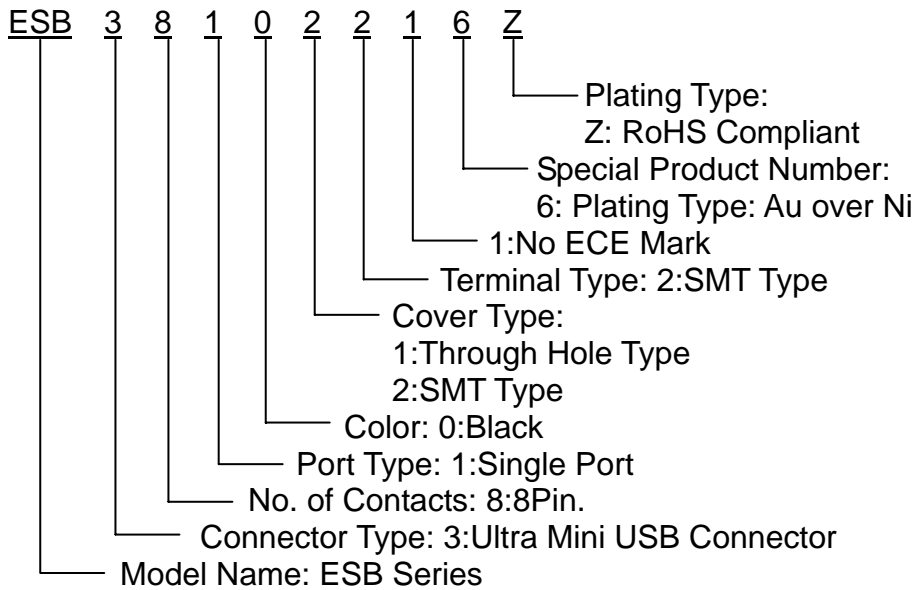
1.Packing method

1-1.All connector are packed using tape & reel methods.

2.Information on label (stuck to each ploy bag, reel and box)

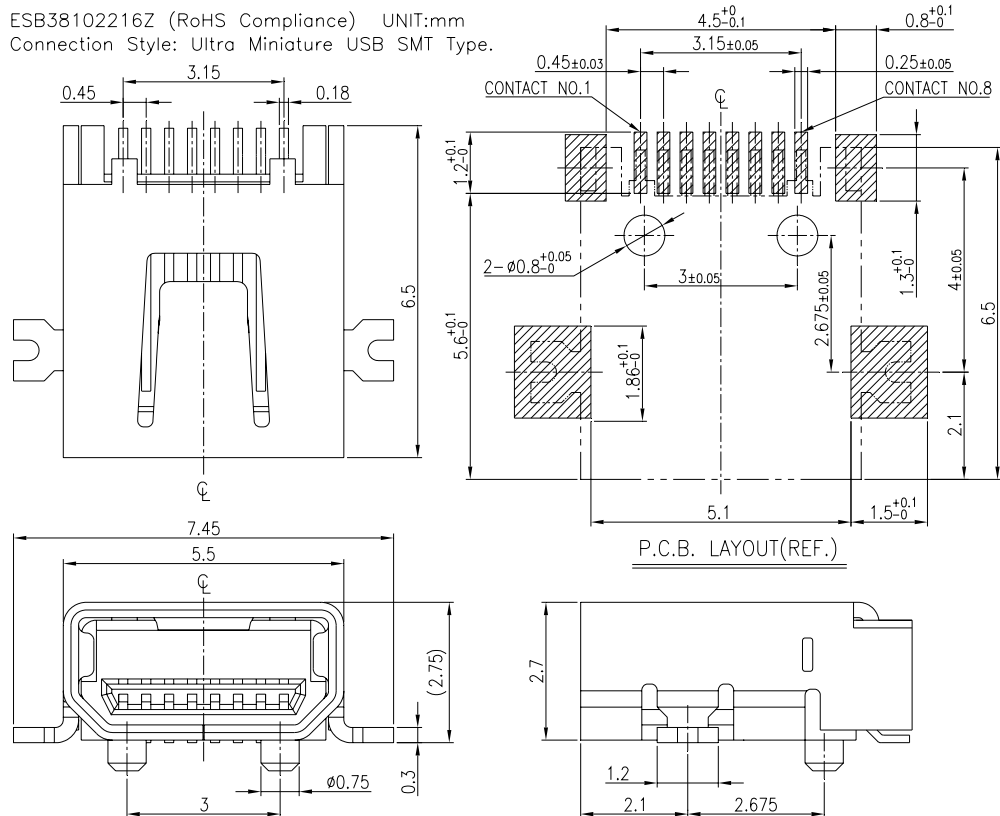
(1)Part NO. (2)Section. (3)Lot NO. (4)Quantity.
(5) QC stamp. (6)Reprocess NO. (7)ECE mark.

■ PART NUMBERING SYSTEM



■ DRAWING

ESB38102216Z (RoHS Compliance) UNIT:mm
Connection Style: Ultra Miniature USB SMT Type.



ESB38101216Z (RoHS Compliance) UNIT:mm
Connection Style:
Ultra Miniature USB Through Hole Type.

