

Patch Antenna

Specification

Type
Series

GPS Circular

PA1575MZ50I4G-xx-xxx
PA1575MZ50I4G-xx-SMD
PA1575MZ50I2G-xx-xxx
PA1575MZ50J4G-xx-xxx
PA1575MZ50J4G-xx-SMD
PA1575MZ50J2G-xx-xxx

PA1575MZ50S4G-xx-xxx
PA1575MZ50K4G-xx-xxx
PA1575MZ50Q4G-xx-xxx
PA1575MZ50R4G-xx-xxx
PA1575MQ4S-xxx-xxx

Product name

PA1575MZ50I4G-xx-xxx

PA1575MZ50I4G-xx-SMD

Appearance



Specification

Center Frequency (MHz)	1580±3	1580±3
Bandwidth (MHz)	10.0 min	9.0 min
Gain at Zenith (dBic)	5.0 typ.	4.5 typ.
Polarization	R.H.C.P.	R.H.C.P.
Impedance(Ω)	50 typ.	50 typ.
Axial Ratio (dB)	≤ 3	≤ 3

Test Condition

70 mm Square Ground Plane

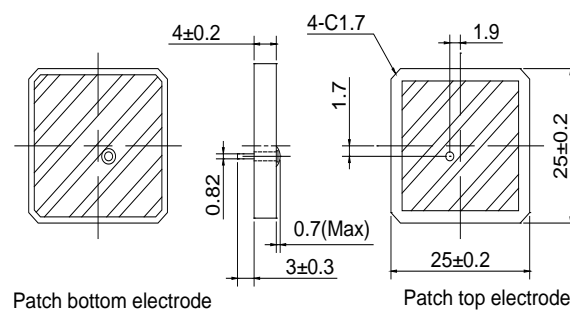
50 mm Square Ground Plane

Dimension (mm)

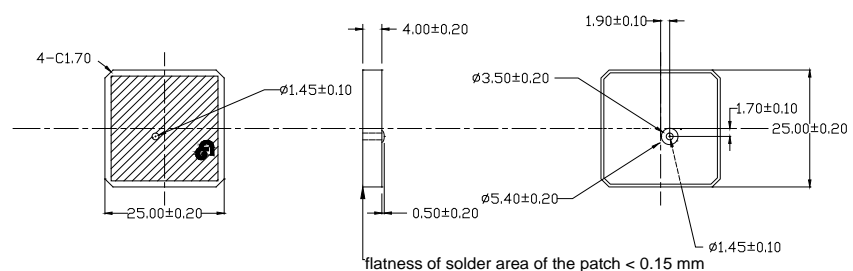
a. 25 x 25 x 4

b. 25 x 25 x 4

a



b



Product name

PA1575MZ50I2G-xx-xxx

PA1575MZ50I4G-xx-xxx

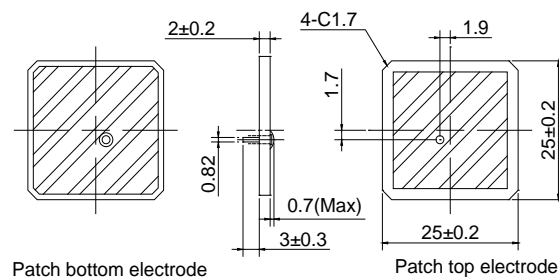
Appearance



Specification

Center Frequency (MHz)	1580±2	1580±2
Bandwidth (MHz)	9.0 min	9.0 min
Gain at Zenith (dBic)	4.5 typ.	2.5 typ.
Polarization	R.H.C.P.	R.H.C.P.
Impedance(Ω)	50 typ.	50 typ.
Axial Ratio (dB)	≤ 3	≤ 3
Test Condition	70 mm Square Ground Plane	50 mm Square Ground Plane
Dimension (mm)	a. 25 x 25 x 2	b. 18.4 x 18.4 x 4

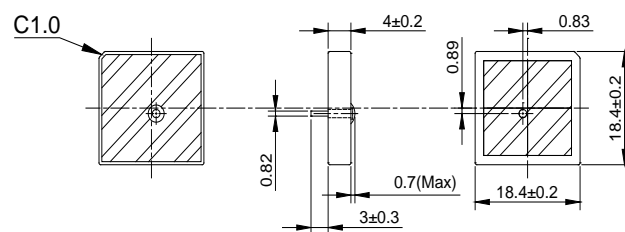
a



Patch bottom electrode

Patch top electrode

b



Patch bottom electrode

Patch top electrode

Product name

PA1575MZ50J4G-xx-SMD

PA1575MZ50J2G-xx-xxx

Appearance



Specification

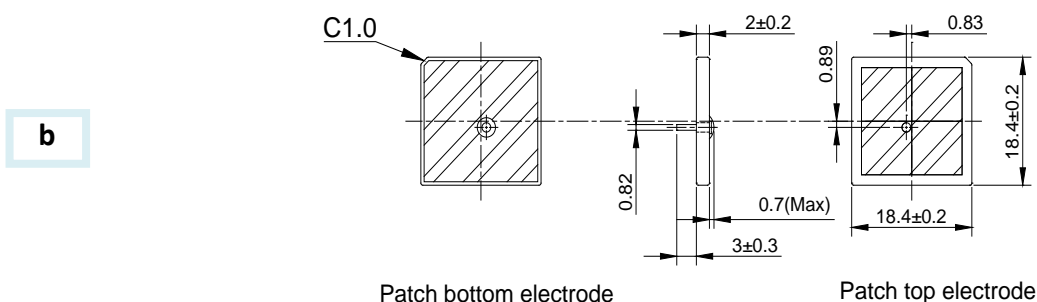
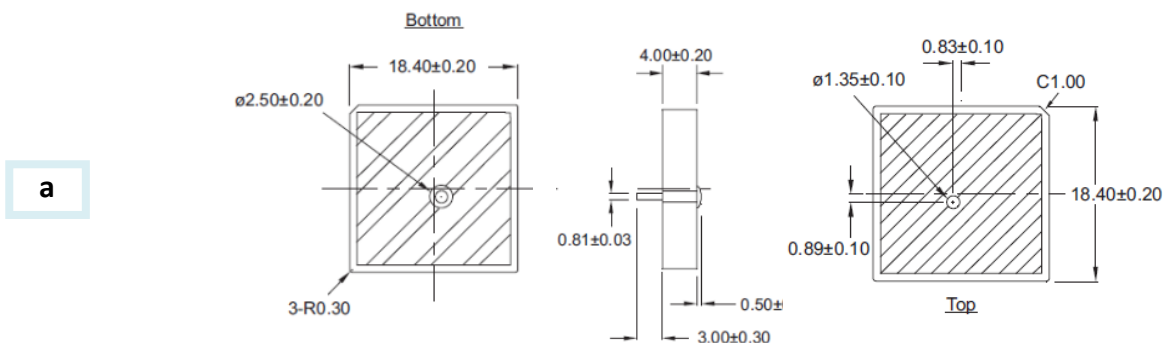
Center Frequency (MHz)	1580±2	1580±2
Bandwidth (MHz)	9.0 min	7.0 min
Gain at Zenith (dBic)	2.5 typ.	1.0 typ.
Polarization	R.H.C.P.	R.H.C.P.
Impedance(Ω)	50 typ.	50 typ.
Axial Ratio (dB)	≤ 3	≤ 3

Test Condition 50 mm Square Ground Plane 50 mm Square Ground Plane

Dimension (mm)

a. 18.4 x18.4 x 4

b. 18.4 x18.4 x 2

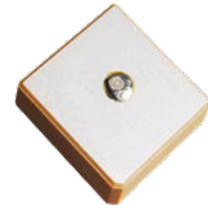


Product name

PA1575MZ50S4G-xx-xxx

PA1575MZ50K4G-xx-xxx

Appearance



Specification

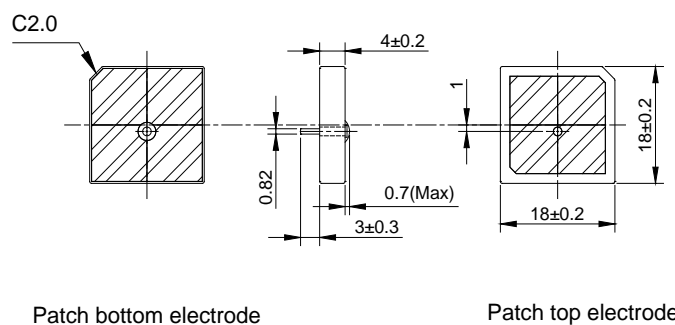
Center Frequency (MHz)	1580±2	1580±1.5
Bandwidth (MHz)	8.0 min	6.0 min
Gain at Zenith (dBic)	2.5 typ.	2.0 typ.
Polarization	R.H.C.P.	R.H.C.P.
Impedance(Ω)	50 typ.	50 typ.
Axial Ratio (dB)	≤ 3	≤ 3

Test Condition 50 mm Square Ground Plane 40 mm Square Ground Plane

Dimension (mm)

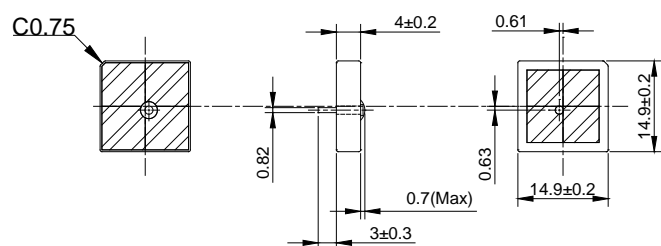
a. 18 x 18 x 4

b. 15 x 15 x 4

a


Patch bottom electrode

Patch top electrode

b


Patch bottom electrode

Patch top electrode

Product name

PA1575MZ50Q4G-xx-xxx

PA1575MZ50R4G-xx-xxx

Appearance



Specification

Center Frequency (MHz)	1580±1.5	1580±1.5
Bandwidth (MHz)	6.0 min	6.0 min
Gain at Zenith (dBic)	-0.05 typ.	-1.5 typ.
Polarization	R.H.C.P.	R.H.C.P.
Impedance(Ω)	50 typ.	50 typ.
Axial Ratio (dB)	≤ 3	≤ 3

Test Condition

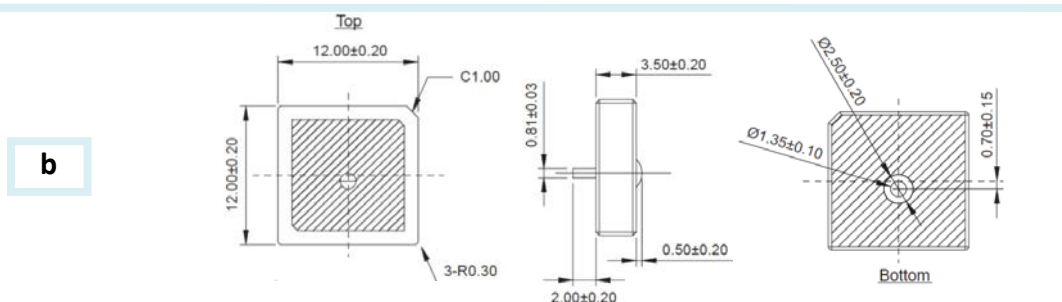
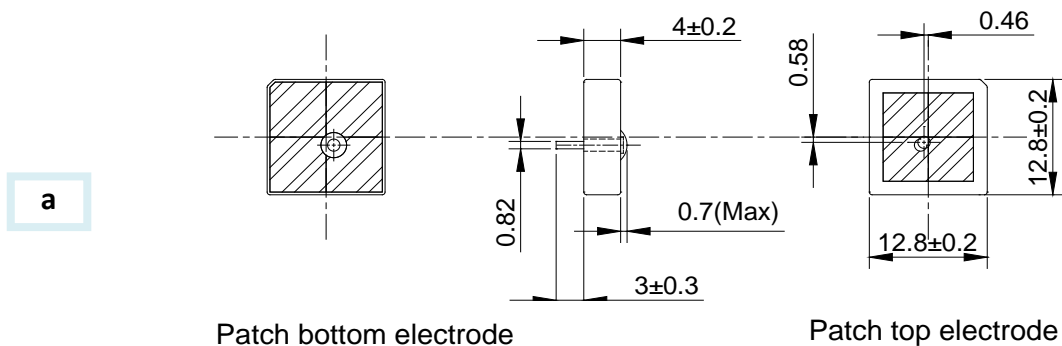
30 mm Square Ground Plane

20 mm Square Ground Plane

Dimension (mm)

a. 12.8 x 12.8 x 4

b. 12 x 12 x 3.5



Product name

PA1575MQ4S-xxx-xxx

Appearance



Specification

Center Frequency (MHz)	1575.42		
Bandwidth (MHz)	6 Typ.	6 Typ.	8 Typ.
Gain at Zenith (dBic)	-4	-8.5	-9.5
Polarization	R.H.C.P.		
Impedance(Ω)	50		
Axial Ratio (dB)	<3		
Test Condition	20 mm Square Ground Plane		
Dimension (mm)	10 x 10 x 4	9 x 9 x 4	6 x 6 x 4

a

b

c

