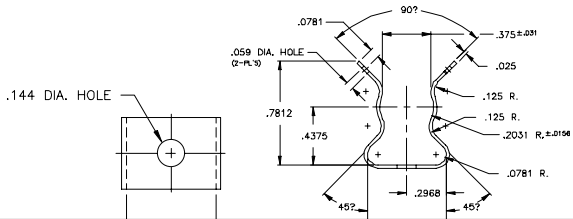


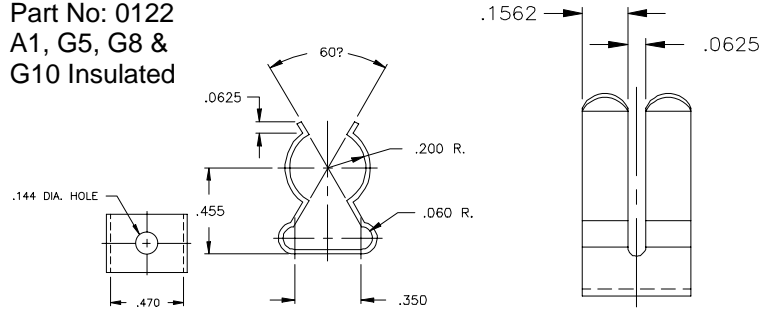
Insulated Switch Mounting Clips



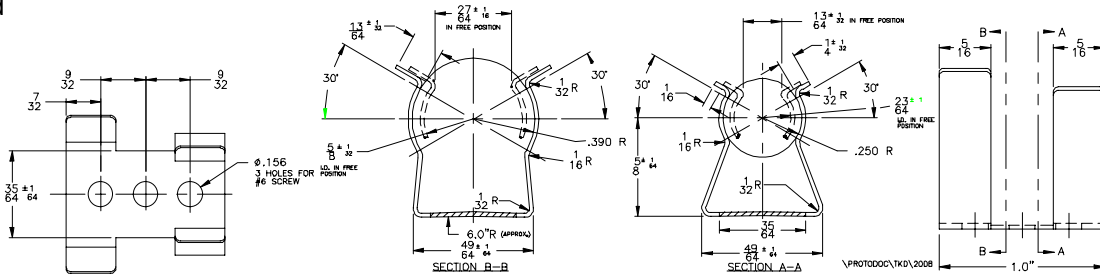
Part No: 0164
A1/2 insulated, A1SN & A1N



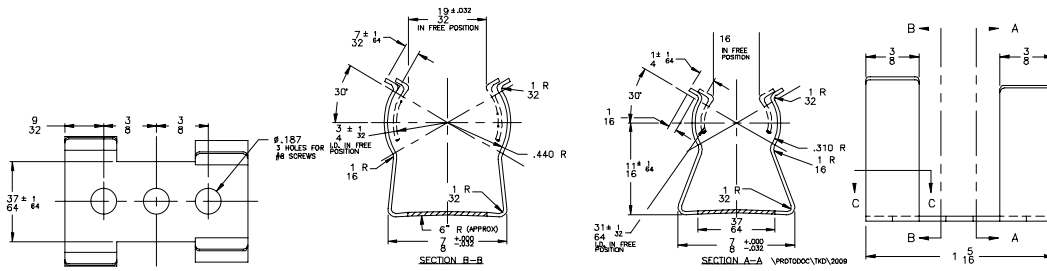
Part No: 0122
A1, G5, G8 & G10 Insulated



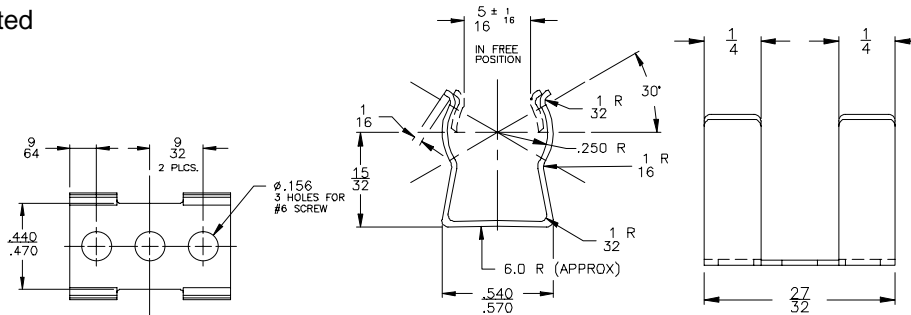
Part No: 2008
G8 Insulated



Part No: 2009
G10 Insulated



Part No: 2023
A1, G5, Insulated



Drawing dimensions in inches.



© American Electronic Components Inc 2006

American Electronic Components Inc.,
1101 Lafayette Street, Elkhart, Indiana. USA
Tel: +1-574-295-6330 Fax: +1-574-293-8013
Email: sales@aecensors.com
<http://www.aecensors.com>