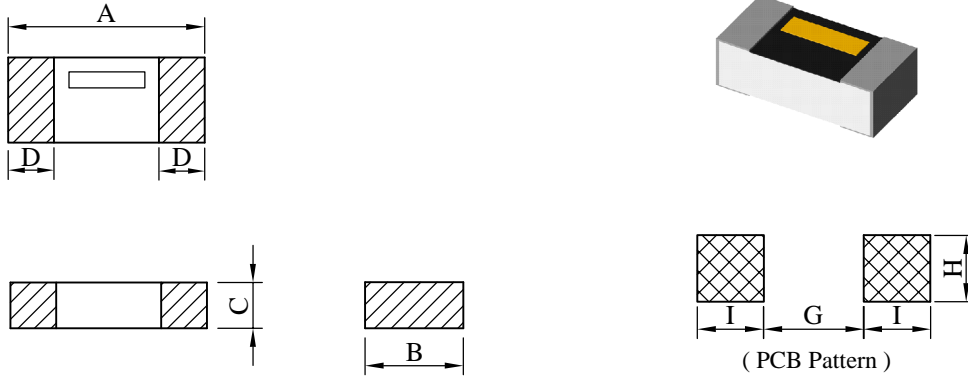


# SPECIFICATION FOR APPROVAL

REF. :

PROD. NAME	Thin Film Chip Inductor	ABC'S DWG NO.		AL1005□□□□L□-□□□	
		REV.	20130610-C	PAGE	1

**I . Configuration and dimensions :**



Unit : m/m

A	B	C	D	G	H	I
1.00 ±0.05	0.50 ±0.05	0.32 ±0.05	0.20 ±0.10	0.50	0.60	0.45

**II . Materials :**

- a . Body : Ceramic
- b . Internal conductor : Cu
- c . Terminal electrode : Ni-Cr/Ni/Sn
- d . Product weight : 1.3 mg (ref.)
- e . Products comply with RoHS' requirements
- f . Halogen free available.

**III . General specification :**

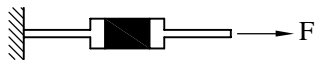
a . Storage Conditions :

Electrical Performance temp : -40°C ~ +85°C

Terminal Solderability & Packages Material temp : -10°C ---- +40°C and RH 70% max.

b . Operating temp. : -40°C ---- +85°C

c . Terminal strength :

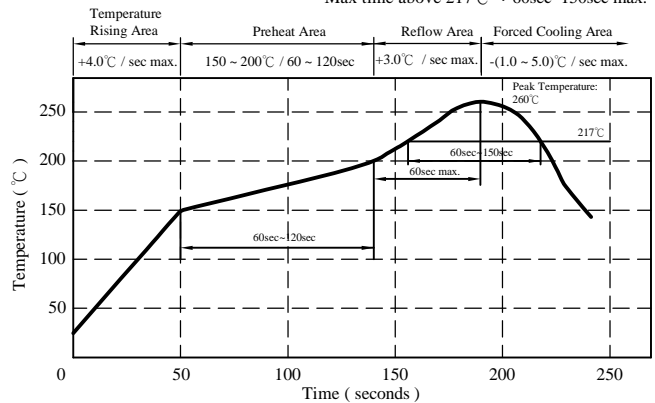


Type	F ( kgf )	Time ( sec )
AL1005	0.3	30±5

d . Resistance to soldering heat :

Solder temp. : 260°C  
Dip time :10 sec max.

Peak Temp : 260°C max.  
Max. Peak Temp -5°C : 30sec max.  
Max time above 217°C : 60sec~150sec max.



AR-001C

# SPECIFICATION FOR APPROVAL

REF. :

PROD. NAME	Thin Film Chip Inductor	ABC'S DWG NO.	AL1005□□□□L□-□□□		
		REV.	20130610-C	PAGE	2-1

## IV . Electrical characteristics :

DWG No.	Inductance ( nH )	Tolerance	Q min.	Test Freq. ( MHz )	SRF ( GHz ) min.	DC Resistance ( Ω ) max.	Rated Current ( mA ) max.
AL10050N2□L□-□□□	0.2	B、C、D	13	500	14.0	0.10	800
AL10050N4□L□-□□□	0.4	B、C、D	13	500	14.0	0.10	800
AL10050N8□L□-□□□	0.8	B、C、D	13	500	14.0	0.15	700
AL10051N0□L□-□□□	1.0	B、C、D	13	500	12.0	0.15	700
AL10051N1□L□-□□□	1.1	B、C、D	13	500	12.0	0.15	700
AL10051N2□L□-□□□	1.2	B、C、D	13	500	12.0	0.15	700
AL10051N3□L□-□□□	1.3	B、C、D	13	500	10.0	0.25	700
AL10051N4□L□-□□□	1.4	B、C、D	13	500	10.0	0.25	700
AL10051N5□L□-□□□	1.5	B、C、D	13	500	10.0	0.25	700
AL10051N6□L□-□□□	1.6	B、C、D	13	500	10.0	0.25	560
AL10051N7□L□-□□□	1.7	B、C、D	13	500	10.0	0.25	560
AL10051N8□L□-□□□	1.8	B、C、D	13	500	10.0	0.25	560
AL10051N9□L□-□□□	1.9	B、C、D	13	500	8.0	0.35	560
AL10052N0□L□-□□□	2.0	B、C、D	13	500	8.0	0.35	560
AL10052N1□L□-□□□	2.1	B、C、D	13	500	8.0	0.35	440
AL10052N2□L□-□□□	2.2	B、C、D	13	500	8.0	0.35	440
AL10052N3□L□-□□□	2.3	B、C、D	13	500	8.0	0.35	440
AL10052N4□L□-□□□	2.4	B、C、D	13	500	8.0	0.35	440
AL10052N5□L□-□□□	2.5	B、C、D	13	500	8.0	0.35	440
AL10052N6□L□-□□□	2.6	B、C、D	13	500	8.0	0.35	440
AL10052N7□L□-□□□	2.7	B、C、D	13	500	8.0	0.35	440
AL10052N8□L□-□□□	2.8	B、C、D	13	500	6.0	0.45	380
AL10052N9□L□-□□□	2.9	B、C、D	13	500	6.0	0.45	380
AL10053N0□L□-□□□	3.0	B、C、D	13	500	6.0	0.45	380
AL10053N1□L□-□□□	3.1	B、C、D	13	500	6.0	0.45	380
AL10053N2□L□-□□□	3.2	B、C、D	13	500	6.0	0.45	380
AL10053N3□L□-□□□	3.3	B、C、D	13	500	6.0	0.45	380
AL10053N4□L□-□□□	3.4	B、C、D	13	500	6.0	0.55	380
AL10053N5□L□-□□□	3.5	B、C、D	13	500	6.0	0.55	380
AL10053N6□L□-□□□	3.6	B、C、D	13	500	6.0	0.55	380
AL10053N7□L□-□□□	3.7	B、C、D	13	500	6.0	0.55	340
AL10053N8□L□-□□□	3.8	B、C、D	13	500	6.0	0.55	340
AL10053N9□L□-□□□	3.9	B、C、D	13	500	6.0	0.55	340
AL10054N7□L□-□□□	4.7	B、C、D	13	500	6.0	0.65	320
AL10055N6□L□-□□□	5.6	B、C、D	13	500	6.0	0.85	280
AL10055N9□L□-□□□	5.9	B、C、D	13	500	6.0	0.85	280
AL10056N8□L□-□□□	6.8	B、C、D	13	500	6.0	1.05	260

AR-001C

# SPECIFICATION FOR APPROVAL

REF. :

PROD. NAME	Thin Film Chip Inductor	ABC'S DWG NO.	AL1005□□□□L□-□□□		
		REV.	20130610-C	PAGE	2-2

DWG No.	Inductance (nH)	Tolerance	Q min.	Test Freq. (MHz)	SRF (GHz) min.	DC Resistance (Ω) max.	Rated Current (mA) max.
AL10057N2□L□-□□□	7.2	B、C、D	13	500	6.0	1.05	260
AL10058N0□L□-□□□	8.0	B、C、D	13	500	5.5	1.25	220
AL10058N2□L□-□□□	8.2	B、C、D	13	500	5.5	1.25	220
AL10059N1□L□-□□□	9.1	B、C、D	13	500	5.5	1.25	220
AL100510N□L□-□□□	10.0	F、G、H、J	13	500	4.5	1.35	200
AL100512N□L□-□□□	12.0	F、G、H、J	13	500	3.7	1.55	180
AL100514N□L□-□□□	13.8	F、G、H、J	13	500	3.7	1.75	180
AL100515N□L□-□□□	15.0	F、G、H、J	13	500	3.3	1.75	130
AL100517N□L□-□□□	17.0	F、G、H、J	13	500	3.1	1.95	100
AL100518N□L□-□□□	18.0	F、G、H、J	13	500	3.1	2.15	100
AL100521N□L□-□□□	20.8	F、G、H、J	13	500	2.8	2.55	90
AL100522N□L□-□□□	22.0	F、G、H、J	13	500	2.8	2.65	90
AL100527N□L□-□□□	27.0	F、G、H、J	13	500	2.5	3.25	75
AL100533N□L□-□□□	33.0	J	13	500	2.5	4.50	75

- 1). □ : Packaging information : □ Code
- 2). "- □□□ ":Reference code
- 3). Electrical specifications at 25°C
- 4). Tolerance : B : ±0.1nH、C : ±0.2nH、D : ±0.3nH、F : ±1%、G : ±2%、H : ±3%、J : ±5%

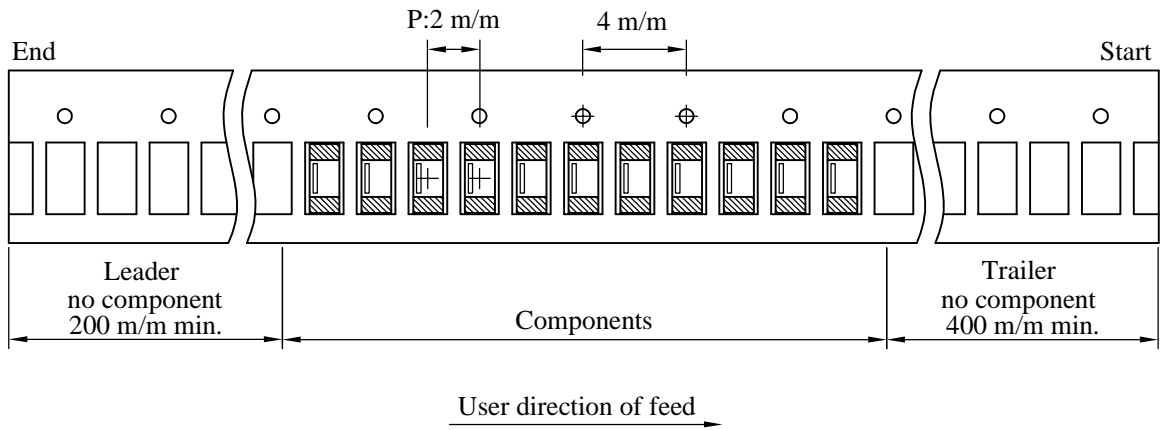
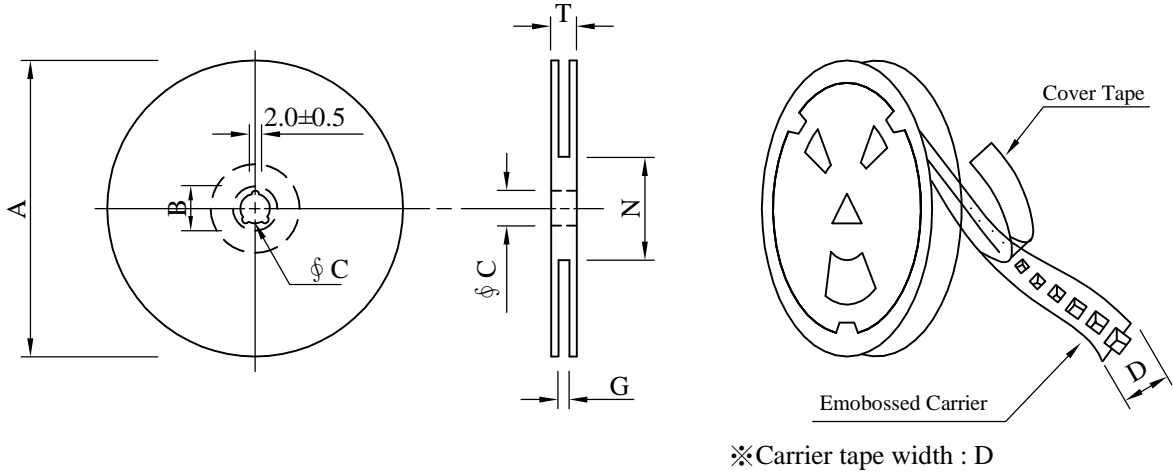
# SPECIFICATION FOR APPROVAL

REF. :

PROD. NAME	Thin Film Chip Inductor	ABC'S DWG NO.		AL1005□□□□L□-□□□	
		REV.	20130610-C	PAGE	3

V . Packaging information :

(1) Configuration



(2) Dimensions

Unit:m/m

Style	A	B	C	D	G	N	T
07 - 08	178	21±0.8	13	8	10 <sup>+0</sup>	50 <sup>-0</sup>	12.5

(3) Q'TY & G.W. Per package

Code	Inner : Reel			Outer : Carton		
	Q'TY (pcs)	G.W. (gw)	Style	Q'TY (pcs)	G.W. (Kg)	Size (cm)
B	10,000	60	07 - 08	500,000	5.5	41x 39 x 22

AR-001C