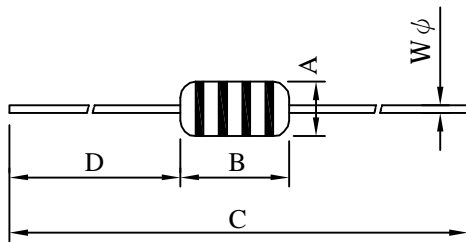


SPECIFICATION FOR APPROVAL

REF. :

PROD. NAME	Axial Inductor	ABC'S DWG NO.	AA0410□□□□L□-□□□		
		REV.	20130306-G	PAGE	1

I . Configuration and dimensions :



※Color code :

- 1st Color : First Significant Figure
- 2nd Color : Second Significant Figure
- 3rd Color : Multiplier
- 4th Color : Tolerance

Unit : m/m				
A	B	C	D	Wφ
4.0 max.	10.5 max.	61.00 ref.	25.4 min.	0.60

II . Description :

- a . Ferrite drum core construction
- b . Enamelled copper wire : B class
- c . Product weight : 0.35g (ref.)
- d . Remark : Products comply with RoHS' requirements
- e . Halogen free available.

III . General specification :

- a . Temp. rise : 20°C max.
- b . Storage temp : -40°C ---- +105°C
- c . Operating temp : -25°C ---- +85°C
- d . Terminal tensile strength : 2.5 KG min
- e . Terminal bending strength : 0.5 KG min
- f . Dielectric withstanding voltage : 500 Vrms
- g . Rated current : Base on temp rise

AR-001C

SPECIFICATION FOR APPROVAL

REF. :

PROD. NAME	Axial Inductor	ABC'S DWG NO.	AA0410□□□□L□-□□□		
		REV.	20130306-G	PAGE	2

IV . Electrical characteristics :

DWG No.	Inductance		Q min.	Test Freq. (MHz)	SRF (MHz) min	RDC (Ω) max	IDC (mA) max	Color Code			
	(μH)	Tol.						1st	2nd	3rd	4th
AA0410R10ML□-□□□	0.10	±20%	50	25.2	480.0	0.06	1700	BN	BK	SIL	—
AA0410R12ML□-□□□	0.12	±20%	50	25.2	450.0	0.06	1640	BN	R	SIL	—
AA0410R15ML□-□□□	0.15	±20%	50	25.2	420.0	0.07	1560	BN	GN	SIL	—
AA0410R18ML□-□□□	0.18	±20%	50	25.2	400.0	0.07	1480	BN	GY	SIL	—
AA0410R22ML□-□□□	0.22	±20%	50	25.2	380.0	0.08	1400	R	R	SIL	—
AA0410R27ML□-□□□	0.27	±20%	50	25.2	340.0	0.09	1320	R	V	SIL	—
AA0410R33ML□-□□□	0.33	±20%	50	25.2	300.0	0.10	1280	O	O	SIL	—
AA0410R39ML□-□□□	0.39	±20%	50	25.2	280.0	0.12	1200	O	W	SIL	—
AA0410R47ML□-□□□	0.47	±20%	50	25.2	250.0	0.13	1150	Y	V	SIL	—
AA0410R56ML□-□□□	0.56	±20%	50	25.2	230.0	0.14	1100	GN	BU	SIL	—
AA0410R68ML□-□□□	0.68	±20%	50	25.2	210.0	0.15	1030	BU	GY	SIL	—
AA0410R82ML□-□□□	0.82	±20%	50	25.2	172.0	0.16	980	GY	R	SIL	—
AA0410I0R0KL□-□□□	1.00	±10%	50	25.2	157.0	0.17	920	BN	BK	GD	SIL
AA0410I0R2KL□-□□□	1.20	±10%	50	7.96	144.0	0.18	880	BN	R	GD	SIL
AA0410I0R5KL□-□□□	1.50	±10%	50	7.96	131.0	0.20	830	BN	GN	GD	SIL
AA0410I0R8KL□-□□□	1.80	±10%	50	7.96	121.0	0.22	790	BN	GY	GD	SIL
AA0410I0R2KL□-□□□	2.20	±10%	50	7.96	110.0	0.24	750	R	R	GD	SIL
AA0410I0R7KL□-□□□	2.70	±10%	60	7.96	100.0	0.25	720	R	V	GD	SIL
AA0410I0R3KL□-□□□	3.30	±10%	60	7.96	94.0	0.30	670	O	O	GD	SIL
AA0410I0R9KL□-□□□	3.90	±10%	60	7.96	86.0	0.35	640	O	W	GD	SIL
AA0410I0R7KL□-□□□	4.70	±10%	70	7.96	80.0	0.40	620	Y	V	GD	SIL
AA0410I0R6KL□-□□□	5.60	±10%	70	7.96	74.0	0.45	590	GN	BU	GD	SIL
AA0410I0R8KL□-□□□	6.80	±10%	70	7.96	68.0	0.50	550	BU	GY	GD	SIL
AA0410I0R2KL□-□□□	8.20	±10%	80	7.96	53.0	0.52	530	GY	R	GD	SIL
AA0410I0I00KL□-□□□	10.00	±10%	80	7.96	40.0	0.65	500	BN	BK	BK	SIL
AA0410I0I20KL□-□□□	12.00	±10%	70	2.52	34.0	0.70	480	BN	R	BK	SIL
AA0410I0I50KL□-□□□	15.00	±10%	70	2.52	20.0	0.75	460	BN	GN	BK	SIL
AA0410I0I80KL□-□□□	18.00	±10%	60	2.52	14.0	0.80	430	BN	GY	BK	SIL
AA0410I0I20KL□-□□□	22.00	±10%	60	2.52	9.9	0.90	410	R	R	BK	SIL
AA0410I0I70KL□-□□□	27.00	±10%	50	2.52	7.6	1.00	390	R	V	BK	SIL
AA0410I0I30KL□-□□□	33.00	±10%	50	2.52	6.5	1.10	370	O	O	BK	SIL
AA0410I0I90KL□-□□□	39.00	±10%	50	2.52	6.5	1.20	350	O	W	BK	SIL
AA0410I0I40KL□-□□□	47.00	±10%	45	2.52	6.3	1.30	340	Y	V	BK	SIL
AA0410I0I60KL□-□□□	56.00	±10%	45	2.52	6.2	1.50	320	GN	BU	BK	SIL
AA0410I0I680KL□-□□□	68.00	±10%	40	2.52	5.7	1.80	305	BU	GY	BK	SIL
AA0410I0I820KL□-□□□	82.00	±10%	35	2.52	5.3	2.00	290	GY	R	BK	SIL
AA0410I0I101KL□-□□□	100.00	±10%	30	2.52	4.8	2.50	275	BN	BK	BN	SIL
AA0410I0I21KL□-□□□	120.00	±10%	60	0.796	3.8	3.00	185	BN	R	BN	SIL
AA0410I0I151KL□-□□□	150.00	±10%	60	0.796	3.5	4.00	175	BN	GN	BN	SIL
AA0410I0I181KL□-□□□	180.00	±10%	60	0.796	3.0	4.50	165	BN	GY	BN	SIL
AA0410I0I221KL□-□□□	220.00	±10%	60	0.796	2.8	5.00	155	R	R	BN	SIL
AA0410I0I271KL□-□□□	270.00	±10%	60	0.796	2.6	6.00	145	R	V	BN	SIL
AA0410I0I331KL□-□□□	330.00	±10%	60	0.796	2.4	6.50	137	O	O	BN	SIL
AA0410I0I391KL□-□□□	390.00	±10%	55	0.796	2.0	7.50	133	O	W	BN	SIL
AA0410I0I471KL□-□□□	470.00	±10%	50	0.796	1.8	8.50	126	Y	V	BN	SIL
AA0410I0I561KL□-□□□	560.00	±10%	50	0.796	1.6	9.50	120	GN	BU	BN	SIL
AA0410I0I681KL□-□□□	680.00	±10%	45	0.796	1.6	12.00	113	BU	GY	BN	SIL
AA0410I0I821KL□-□□□	820.00	±10%	45	0.796	1.4	14.00	105	GY	R	BN	SIL
AA0410I0I02KL□-□□□	1000.00	±10%	40	0.796	1.2	20.00	100	BN	BK	R	SIL

1). Electrical specifications at 25°C

AR-001C



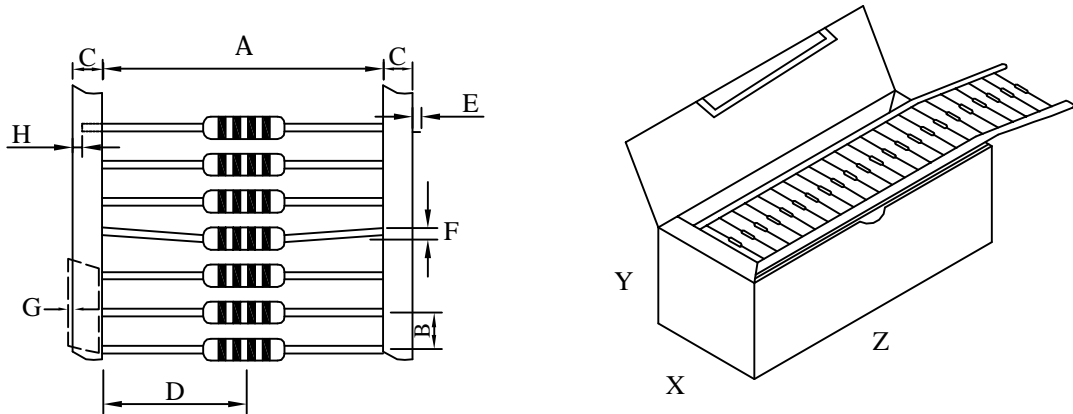
SPECIFICATION FOR APPROVAL

REF. :

PROD. NAME	Axial Inductor	ABC'S DWG NO.	AA0410□□□□L□-□□□		
		REV.	20130306-G	PAGE	3

V . Packaging information For AA Horizontal Taping In Box :

(1) Configuration



(2) Dimensions

Unit:m/m

Style	Item	Specification	Item	Specification
T 52	A	52.00±1.50	B	5.00±0.50
			C	6.00±1.00
	D	26.00±1.50	E	0.50 (max)
			F	1.00 (max)
	X	76.00±1.50	G	1.00 (max)
			H	2.50 (max)

(3) Q'TY & G.W. Per package

Code	Inner : Box			Outer : Carton		
	Q'TY (pcs)	G.W. (gw)	Size (m/m)	Q'TY (pcs)	G.W. (Kg)	Size (cm)
B	2,000	600	250x 75 x 100	24,000	8.0	37.6 x 26.6 x 34.5
D	2,000	600	250x 75 x 100	24,000	8.0	37.6 x 26.6 x 34.5

AR-001C

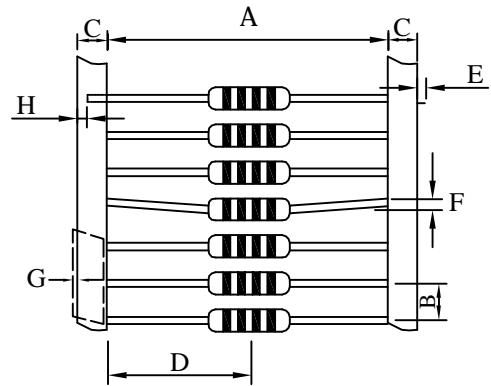
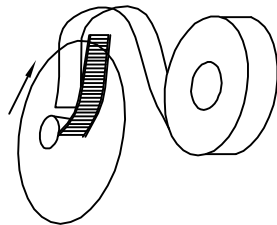
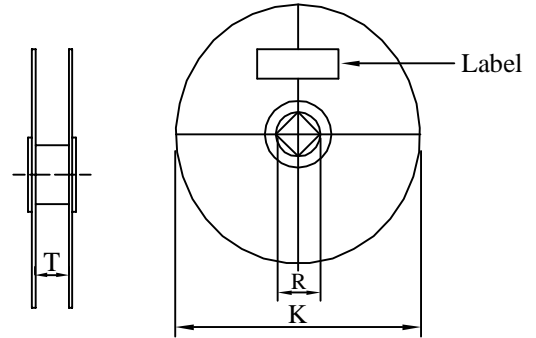
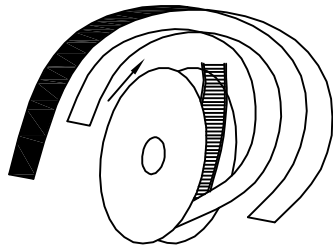
SPECIFICATION FOR APPROVAL

REF. :

PROD. NAME	Axial Inductor	ABC'S DWG NO.	AA0410□□□□L□-□□□		
		REV.	20130306-G	PAGE	4

VI . Packaging information For AA Horizontal Taping In Reel :

(1) Configuration



(2) Dimensions

Unit:m/m

Item	Specification	Item	Specification
A	52.00±1.50	F	1.00 (max)
B	5.00±0.50	G	1.00 (max)
C	6.00±1.00	K	355.00±0.50
D	26.00±1.50	R	15.00±0.50
E	0.50 (max)	T	71.00±3.00
H	2.50 (max)		

(3) Q'TY & G.W. Per package

Code	Inner : Reel			Outer : Carton		
	Q'TY (pcs)	G.W. (gw)	Size (m/m)	Q'TY (pcs)	G.W. (Kg)	Size (cm)
C	5,000	2,000	370 x 370 x 85	20,000	10.0	37.9 x 37.9 x 37.3
E	5,000	2,000	370 x 370 x 85	20,000	10.0	37.9 x 37.9 x 37.3

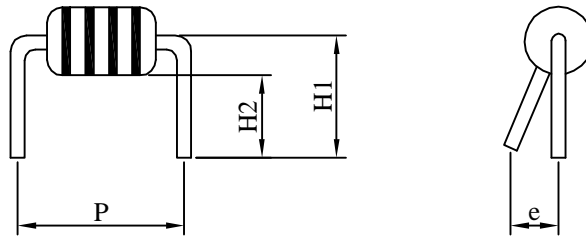
AR-001C

SPECIFICATION FOR APPROVAL

REF. :

PROD. NAME	Axial Inductor	ABC'S DWG NO.	AA0410□□□□L□-□□□		
		REV.	20130306-G	PAGE	5

VII . Packaging information :



Unit : mm

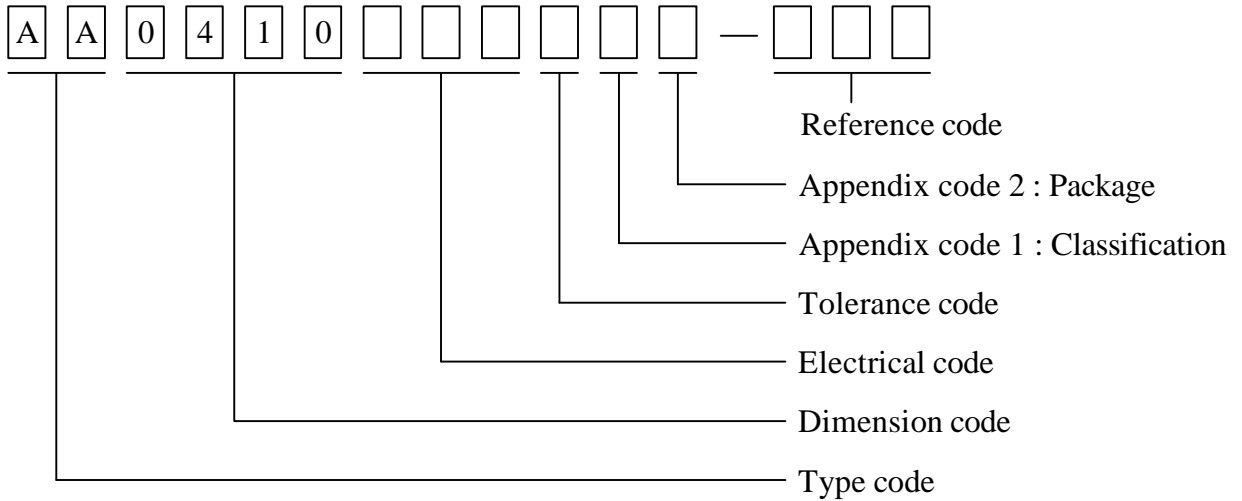
Code	Style	P±0.5	H1±0.5	H2±1	e max.
F	FM Type	12.0	6.5	4.5	1.7

SPECIFICATION FOR APPROVAL

REF. :

PROD. NAME	Axial Inductor	ABC'S DWG NO.	AA0410□□□□L□-□□□		
		REV.	20130306-G	PAGE	6

VIII . Drawing number expression :



Appendix code 1 : Product Classification

L : Lead Free Standard products comply with RoHS' requirements

Appendix code 2 : Package Information

Code	Inner package	Inner package Q'TY	Remark
A	Bag	200 pcs	Bag/200pcs
B	T / B (T52 Box package)	2000 pcs	
C	T / R (T52 Reel package)	5000 pcs	
D	T / B (T52 Box package)	2000 pcs	(B=5.08±0.5m/m)
E	T / R (T52 Reel package)	5000 pcs	(B=5.08±0.5m/m)
F	Bag (FM Forming type)	200 pcs	