

VECO VANSONIC ENTERPRISE CO.,LTD.

8F., No.7, Lane 16, Sec.2, Szechwan Road, Panchiao, Taipei Hsien, TAIWAN.

TEL: +886-2-962 6335

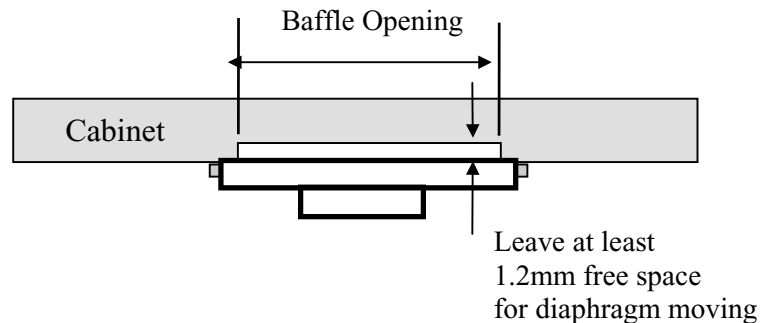
FAX: +886-2-962 5220

1.	MODEL:	P18CUG08L
2.	Dimension	Outer Diameter 18ϕ mm. Baffle Opening 17.4ϕ mm.
		Height Refer to drawing mm. Weight 2.4 Grams.
3.	Magnet	Materials Rare Earth Size: 9.6ϕ × 1.5 mm.
4.	Resistance	8 Ω ± 15 % AT 1000HZ
5.	Power Rating	Normal 1.0 W. Maximum 1.5 W.
6.	Lowest Resonant Frequency	450 ± 20 % Hz.
7.	Output Sound Pressure Lever (S.P.L.)	80 ± 3 db / 1 Watt · 0.5 Meter.
		Average at 800, 1000, 1200, 1500 Hz.
8.	Frequency Range	250 ~ 20000 Hz. Average SPL – 10 db.
9.	Distortion	5 % Maximum At 1000 Hz. 1 W.
10.	Abnormal Sound Test	Must be Normal Tested By 2.83 Volts. Sine Wave.
11.	Load Test	White Noise 2.83 Volts. (RMS.) 96 Hours.
12.	Polarity	Diaphragm shall move Forward while Apply a Positive DC
		Current to the " + " or " Marked " Terminal.
Environment & Mechanical test.		
13.	High Temperature	+ 60 ± 2 °C Humidity Random for 96 Hours.
14.	Low Temperature	- 25 ± 2 °C Humidity Random for 96 Hours.
15.	Humidity	+ 40 ± 2 °C Relative Humidity 90 ~ 95 % 96 Hours.
After test leave at room temperature for 1 hour, SPL shall not deviate by ± 3 db from pre-test measurement, and meet above spec. item 6. 7. 8. 9. 10.		
16.	Temperature Cycle test	- 25 ~ + 60 °C 4 Cycles Temperature test.
After test leave at room temperature for 1 hour, SPL shall not deviate by ± 4 db from pre-test measurement, and meet above spec. item 6. 7. 8. 9. 10.		
17.	Vibration	Frequency 30 ± 15 Hz, Amplitude 1.5 mm for 3 Hours.
18.	Drop test	75 CM free falling on Concrete floor, 10 times.
After test, SPL shall not deviate by ± 3 db from pre-test measurement, and meet above spec. item 6. 7. 8. 9. 10.		
Please refer to next pages for more detailed testing method.		

User precaution and Test method.

1. Mounting precaution.

Keep clearance in front of the speaker, at least leave 1.2mm for diaphragm moving freely.



2. Environment test - High temperature.

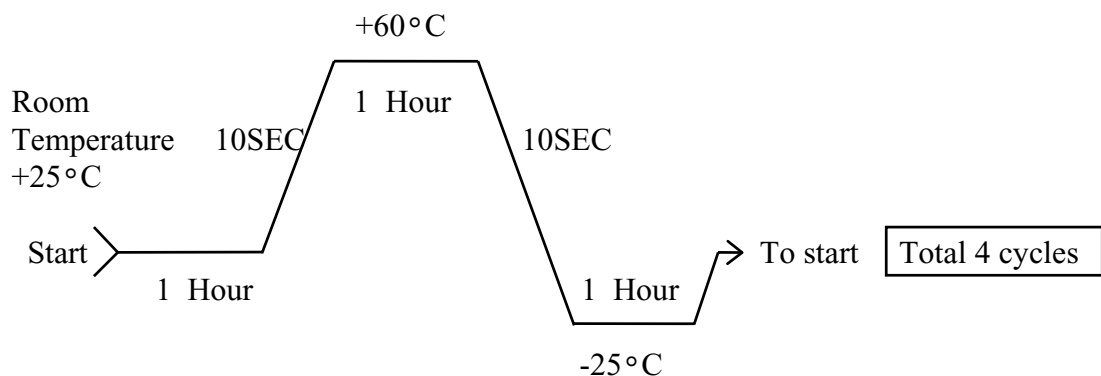
After exposure the speaker in the $+ 60 \pm 2$ °C chamber for 96 hours, then leave the speaker at room temperature for 1 hour, the SPL should not deviate by ± 3 db, and resonant frequency should not deviate by ± 50 Hz, compare with pre-test measurement.

3. Environment test - Low temperature.

After exposure the speaker in the $- 25 \pm 2$ °C chamber for 96 hours, then leave the speaker at room temperature for 1 hour, the SPL should not deviate by ± 3 db, and resonant frequency should not deviate by ± 50 Hz, compare with pre-test measurement.

4. Environment test - Temperature cycle.

After exposure the speaker in the chamber, temperature cycle setting as below shows, SPL should not deviate by ± 4 db, and resonant frequency should not deviate by ± 80 Hz, compare with pre-test measurement.



5. Environment test - Humidity.

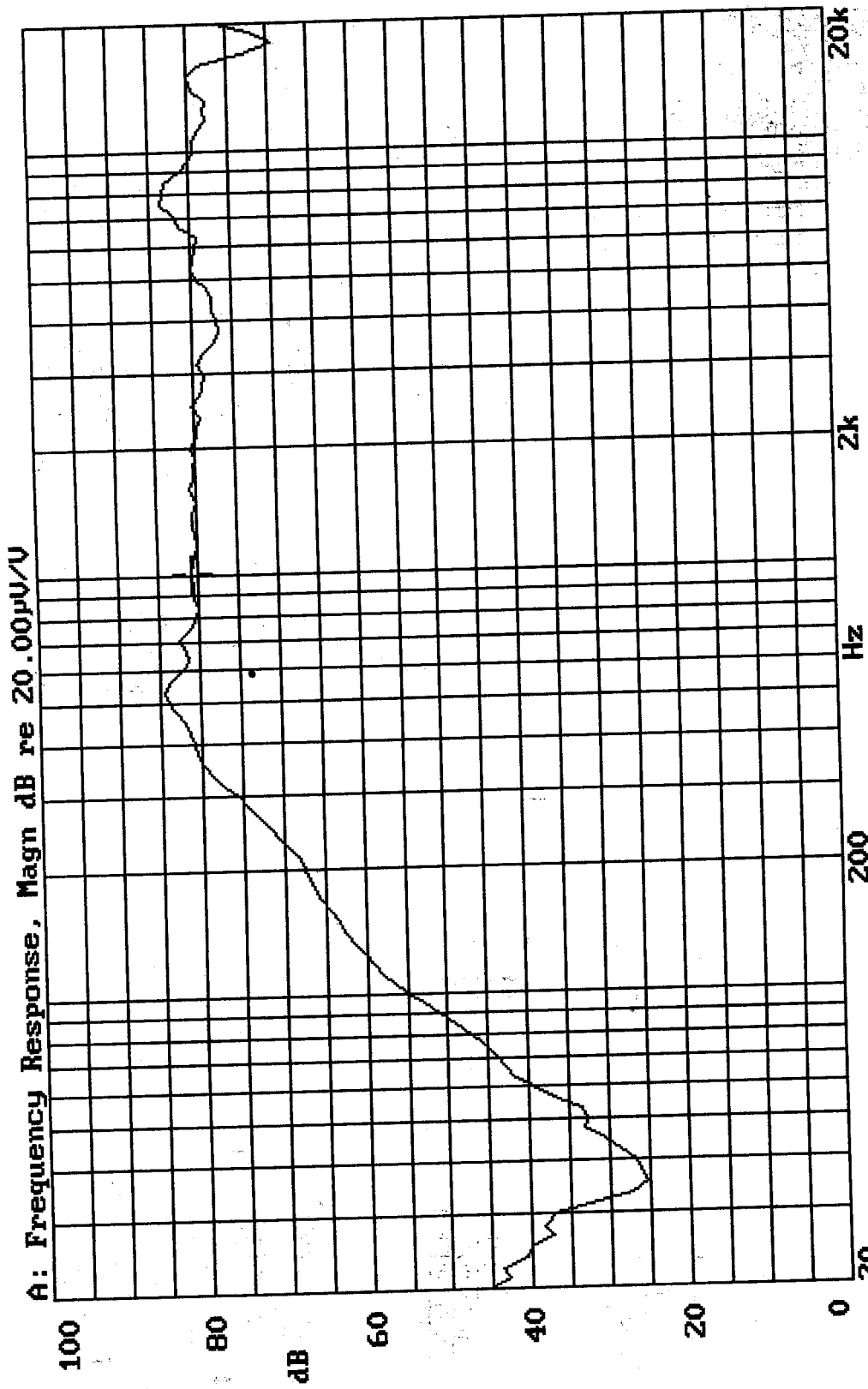
After exposure the speaker in the $+ 40 \pm 2$ °C, relative humidity 90% ~ 95% chamber for 96 hours, then leave the speaker at room temperature for 6 hours, the SPL should not deviate by ± 3 db, and resonant frequency should not deviate by ± 50 Hz, compare with pre-test measurement.

6. Load test

Speaker should not fail after apply 20 ~ 20K Hz White noise rated power input (RMS), 96hours.

P18CUG08L VOL:2.83V(1W) DIS:0.5M VANSONIC
X:1.0000kHz *Y:80.86dB ZA:1.0000

SSR Fund.



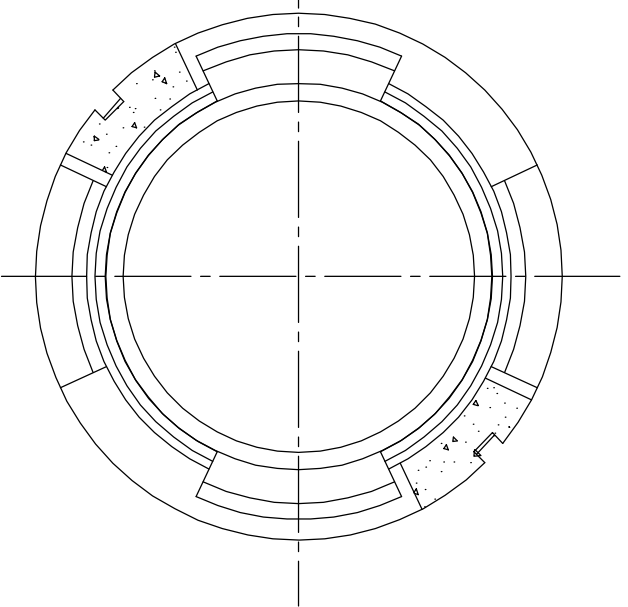
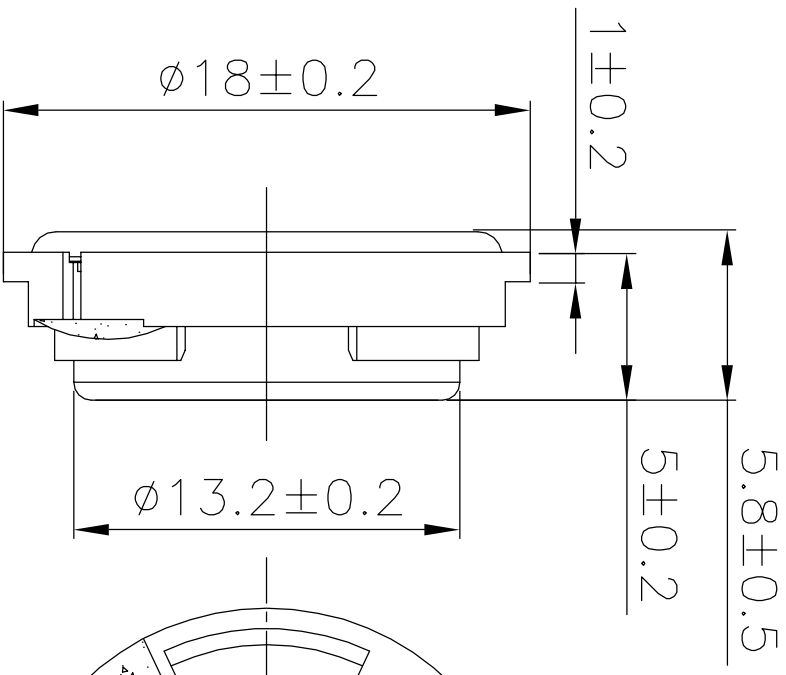
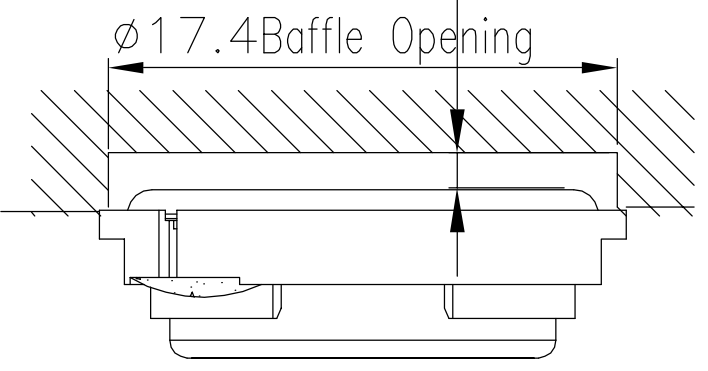
10-OCT-2004 14:26:01

Mode: SSR

04.10.20
U10

MOUNTING NOTICE

AT LEAST
1.2
FOR
DIAPHRAGM
MOVING



Vansonic Enterprise CO.,Ltd.
 統立企業
 E-MAIL: VANSONIC@MS4.HINET.NET
 TEL: +886-2-29626335 FAX: +886-2-29626220

Title: P18CUG08L

F:RDI\DWG\18REV\18CUG08L.DWG

VERSION	DATE	DESCRIPTION
V 1.0	04.10.10	

Unit: mm	Scale:	Appr.:	Dwg.:
Tol. 真鍮公差 1/2IT13		CHK.:	